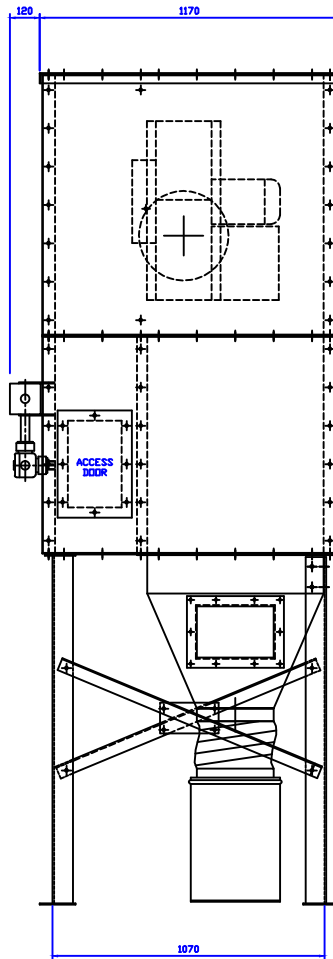
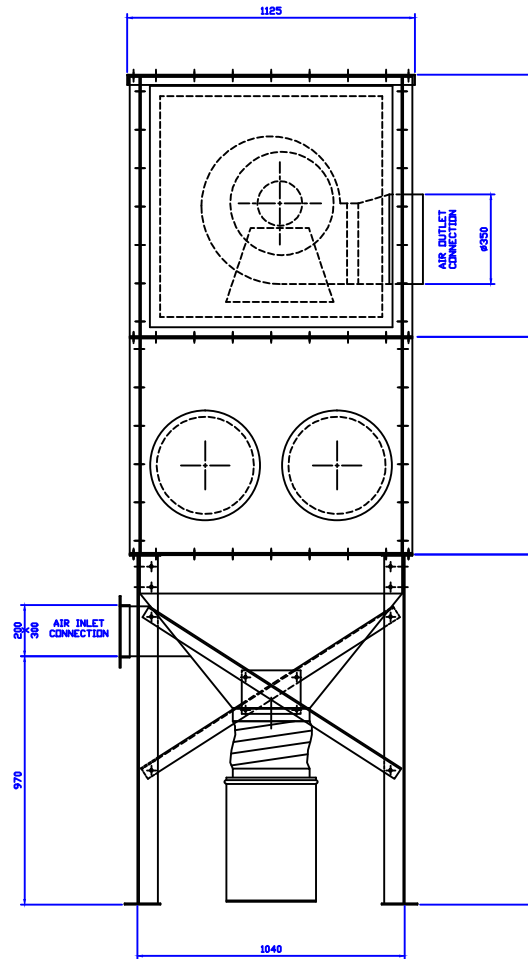


SIDE ELEVATION



FRONT ELEVATION



Unicorn Sheet Metal Works Ltd.

TITLE: 2 CARTRIDGE DUST COLLECTION UNIT INTEGRAL FAN ASSEMBLY
 MODEL : DCC - S - 2 / 2 - F

CUSTOMER:

DATE: SEPT. 2014

SCALE: N.A.

DRG.No.: DCC S 2 - 2 - F

RevNo: Revision note: Date: