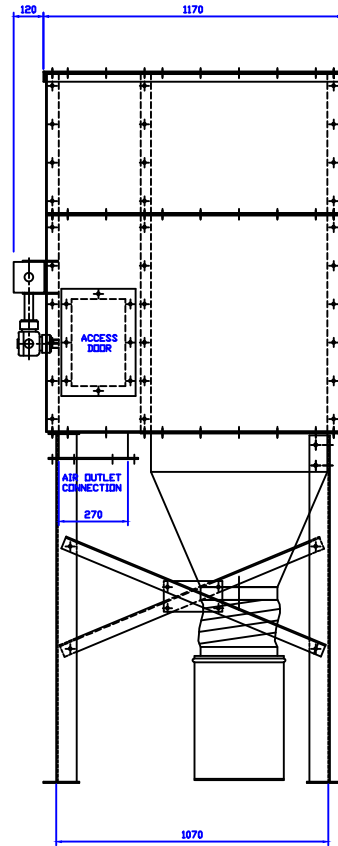
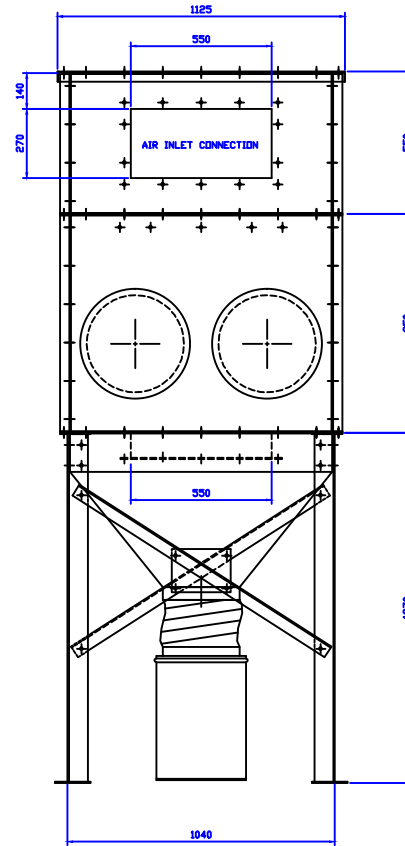


SIDE ELEVATION



FRONT ELEVATION



Unicorn Sheet Metal Works Ltd.

TITLE: 4 CARTRIDGE DUST COLLECTION UNIT
 MODEL : DCC - S - 2 / 2

CUSTOMER:

DATE: SEPT. 2014

SCALE: N.A.

DRG.No.: DCC S 2 - 2

RevNo: Revision note: Date: