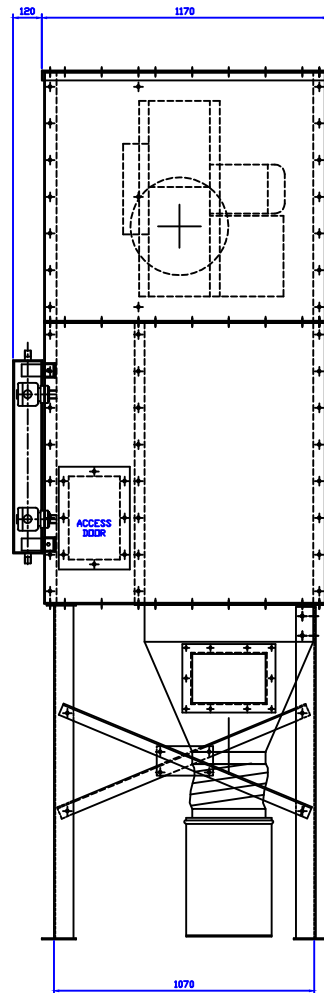
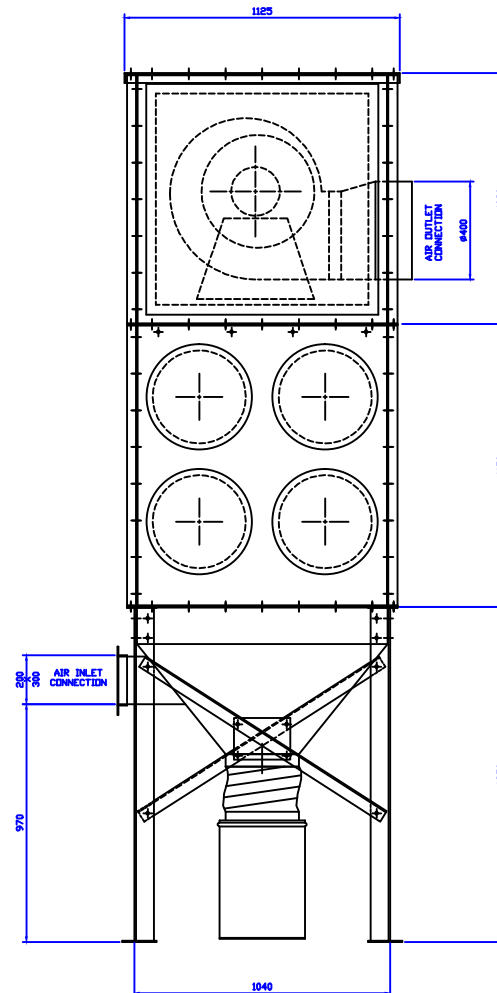


SIDE ELEVATION



FRONT ELEVATION



Unicorn Sheet Metal Works Ltd.

TITLE: 4 CARTRIDGE DUST COLLECTION UNIT INTEGRAL FAN ASSEMBLY  
 MODEL : DCC - S - 4 / 4 F

CUSTOMER:

DATE: SEPT. 2014

SCALE: N.A.

DRG.No.: DCC S 4 - 4 - F

RevNo:      Revision note:      Date: